

Circular/sector sprinkler

Circular/sector sprinkler „V 60“

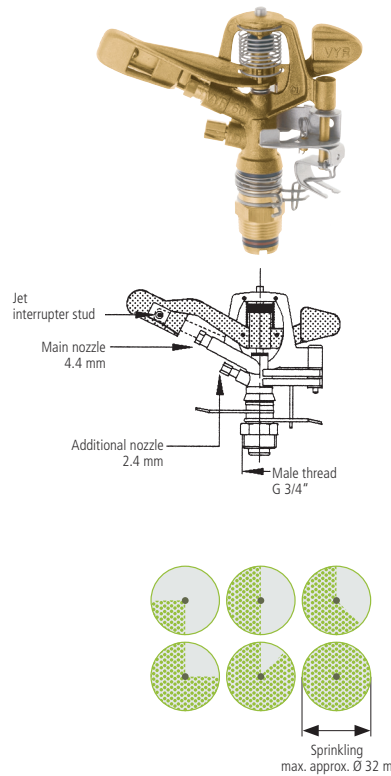
Advantage / benefit: ... **Swing arm sprinkler**
Jet interrupter stud for regulation of throw length and drop size
Sector limitation from 20° to 360°
Infinitely variable

Material: brass; springs and jet interrupter stud: chromium steel

Requirements: 3/4" hoses and minimum pressure of 2 bar

Area of application: For medium and high sprinkling densities
fields of use: cultivation of vegetables on fields, fruit production, frost protection, sports and leisure time installations etc.

Connection male thread mm	26.44
Connection male thread	G 3/4"
Water throughput at 2 bar l/min	22.4
Water throughput at 3 bar l/min	27.4
Water throughput at 4 bar l/min	31.6
Throw length at 4 bar approx. m	16 (standard nozzle equipment)
HD main nozzle, nozzle bore Ø mm	4.4
ZD additional nozzle, nozzle bore Ø mm	2.4
recommended pressure range bar	2 – 6
PU units	1
Covering box units	25
Catalogue no.	604424SB
EDV no.	57.5661.9



Circular/sector sprinkler „V 60 S“ with GEKA® tripod

Advantage / benefit: ... **Combination of circular sprinkler „V 60“ and tripod (356034SB)**

Sprinkler is mounted onto the infinitely height-variable tripod with sleeve (2003)

Extremely stable and firm
 Foldable

Material: Sprinkler: brass; springs and jet interrupter stud: chromium steel; tripod: galvanised steel

Requirements: 3/4" hoses and minimum pressure of 2 bar

Area of application: For medium and high sprinkling densities
fields of use: cultivation of vegetables on fields, fruit production, frost protection, sports and leisure time installations etc.

Please note: Foothold of circular raised sprinklers mainly depends on the corresponding condition of the subsoil

Connection male thread mm	26.44
Connection male thread	G 3/4"
Tripod height mm	700
Height adjustable to mm	1070
PU units	1
Covering box units	5
Catalogue no.	604424SSB
EDV no.	57.5671.9

